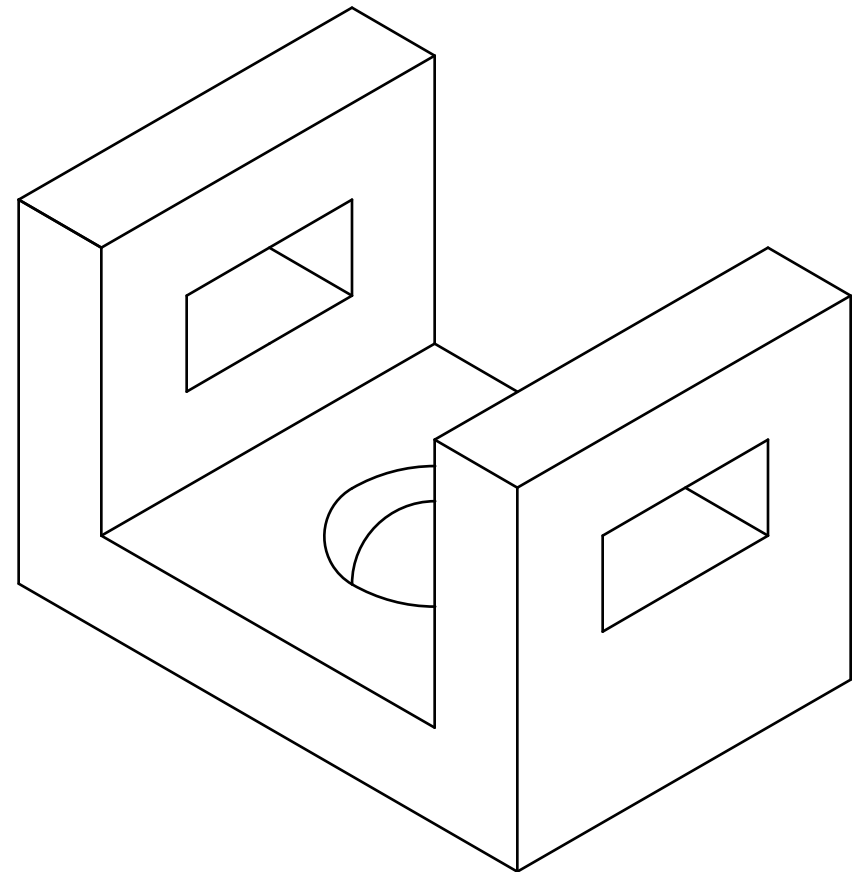
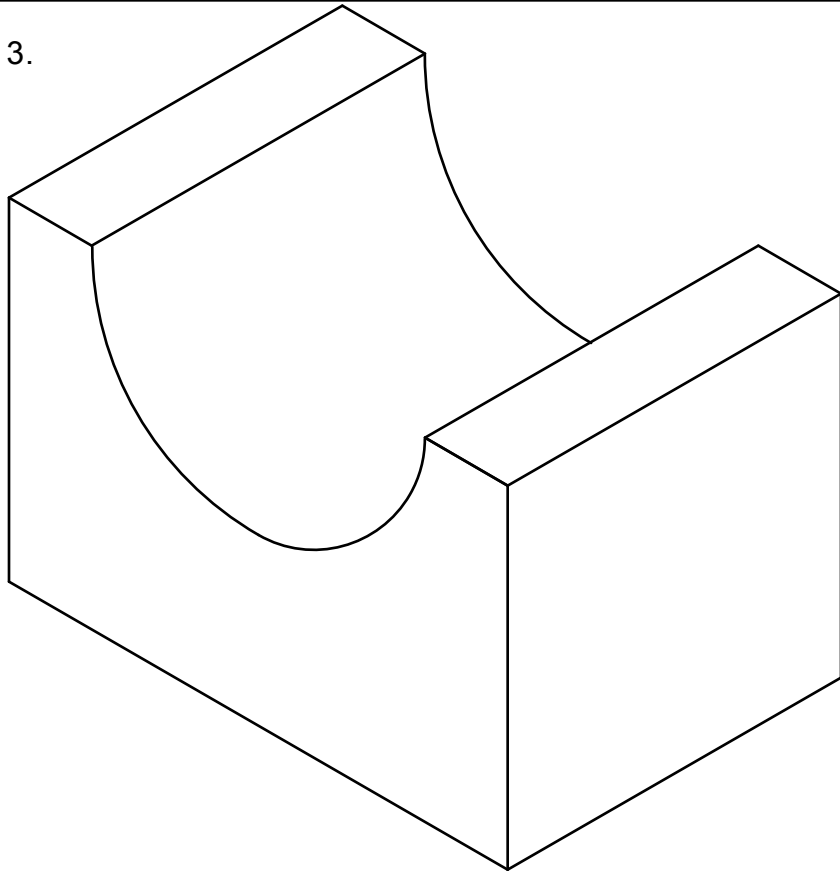


3.



STEVENSON HIGH SCHOOL
TECHNOLOGY EDUCATION DEPARTMENT
TECHNICAL DRAWING PROGRAM

DRN BY: Julie Clemens

DATE: 11/7/11

SCALE: 1:1

Isometric Pictorial Sketching
Problems Part 3

1

1